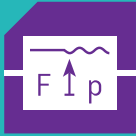


STAINLESS STEEL STANDARD PRESSURE SENSOR SPS 1000



The stainless steel pressure sensors of the SPS 1000 series excel particularly through good overload and burst pressure characteristics. Even in cases of pressure peaks, the monolithic pressure sensors offer outstanding safety features.

Operating in an aggressive media does not influence their superb performance.



TECHNICAL SPECIFICATIONS

Supply voltage	4 ... 30 VDC
Impedance	10 kOhm ± 30 %
FS output (Span)	Min. 1.8 / typ. 2.5 / max. 3.5 mV/V
Offset	0 ± 0.5 mV/V
Therm. offset shift	Typ. 0 ± 0.03 / max. 0 ± 0.05 % FS/K (25 ... 85 °C)
Therm. span shift	Typ. 0 ... -0.02 % FS/K (0 ... 70 °C) max. 0 ... -0.05 % FS/K (0 ... 70 °C)

Insulating resistor	>100 MOhm @ 500 VDC, RT, 70 % rH
Body material	Stainless steel
Operating temperature	-40 ... +125 °C
Storage temperature	-40 ... +125 °C

Mechanical and electrical characteristics are customisable. Specifications are subject to change without notice.

PRESSURE RANGE (BAR)	LONG THERM STABILITY *	LINEARITY / HYSTERESIS (TYP./MAX.) (% FS) **	BURST PRESSURE (BAR) * P _{nom}	OVER-PRESSURE (BAR) ***	VACUUM CAPABILITY (BAR)
10	± 0.4	± 0.25/0.6	≥ 10	≤ 15	-1
25	± 0.35	± 0.25/0.6	≥ 10	≤ 35	-1
40	± 0.35	± 0.25/0.6	≥ 10	≤ 60	-1
100	± 0.3	± 0.2/0.5	≥ 10	≤ 150	-1
200	± 0.3	± 0.2/0.5	≥ 10	≤ 300	-1
300	± 0.25	± 0.2/0.5	≥ 10	≤ 450	-1
400	± 0.25	± 0.2/0.5	≥ 10	≤ 600	-1
600	± 0.25	± 0.3/0.5	≥ 10	≤ 900	-1
1000	± 0.25	± 0.3/0.5	≥ 10	≤ 1350	-1

* 1000 hours @ 125 °C | 50 million pressure cycles @ 125 °C, 10 – 90 % FS @ 2.5 Hz | 50 thermal cycles +125 °C / -20 °C, 2 K/min.

** For independent linearity 10 points are measured and compared to an ideal straight line. | For all measurements, DUT's are mounted in Metallux standard Housing according to "mounting proposal SPS 1000".

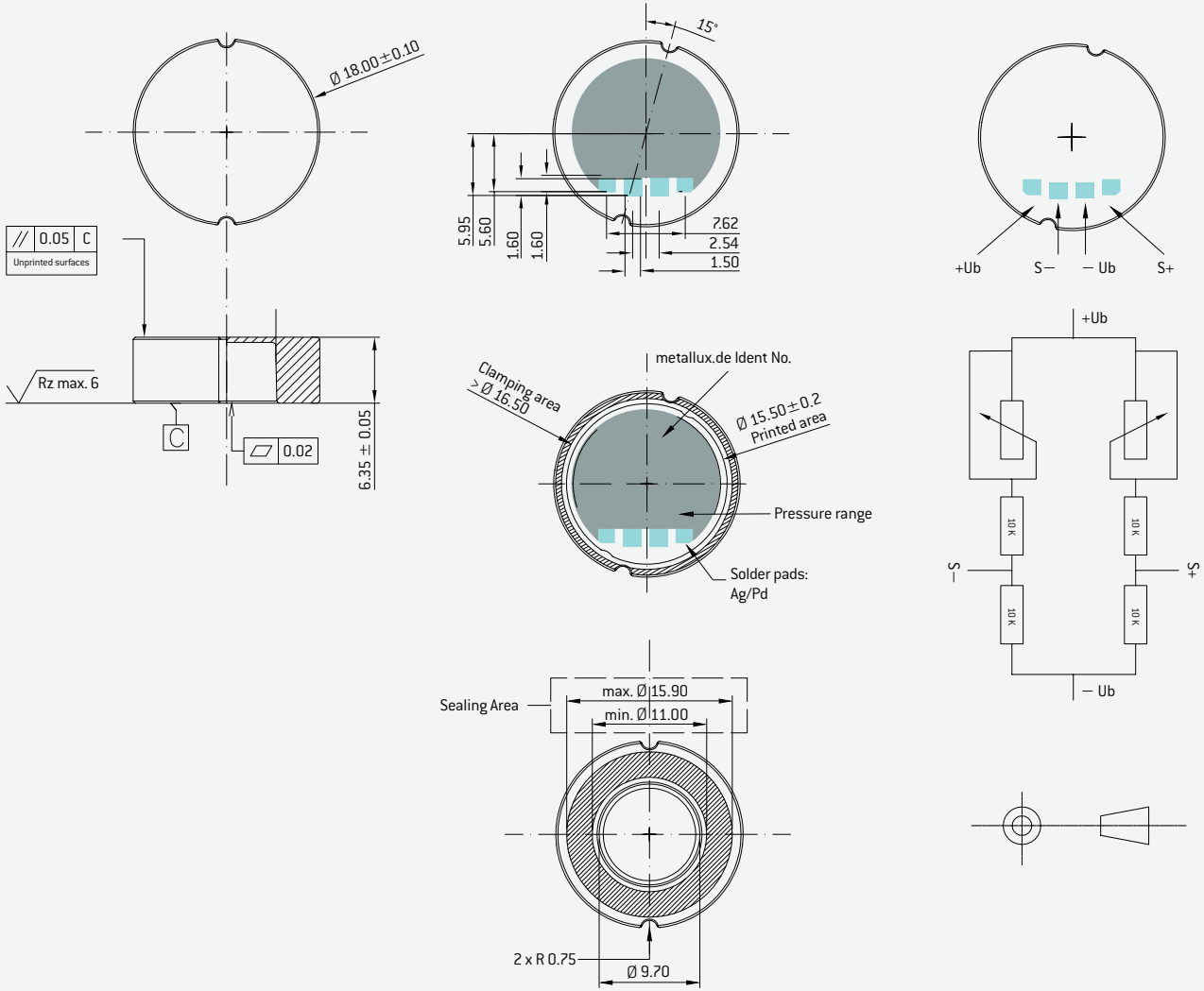
*** Over-Pressure indicates the maximum (short time < 1 s) operating pressure within no irreversible damage to the printed circuit are expected.

SAMPLE ORDER

Type	Pressure range (bar)	Electrical connection (acc. to drawing)
SPS 1000	100 bar	Solder pads

Other dimensions and electrical specifications on request.

DIMENSIONAL DRAWINGS / CONNECTOR SCHEMATIC / ELECTRICAL CONNECTORS



Standard:
Tin plated: Sn95.6; Ag3.8; Cu0.6

Customer specific,
Flex: Lx/Ly/Wx/Hx, coating: blue

Type of connection:
flat cable

